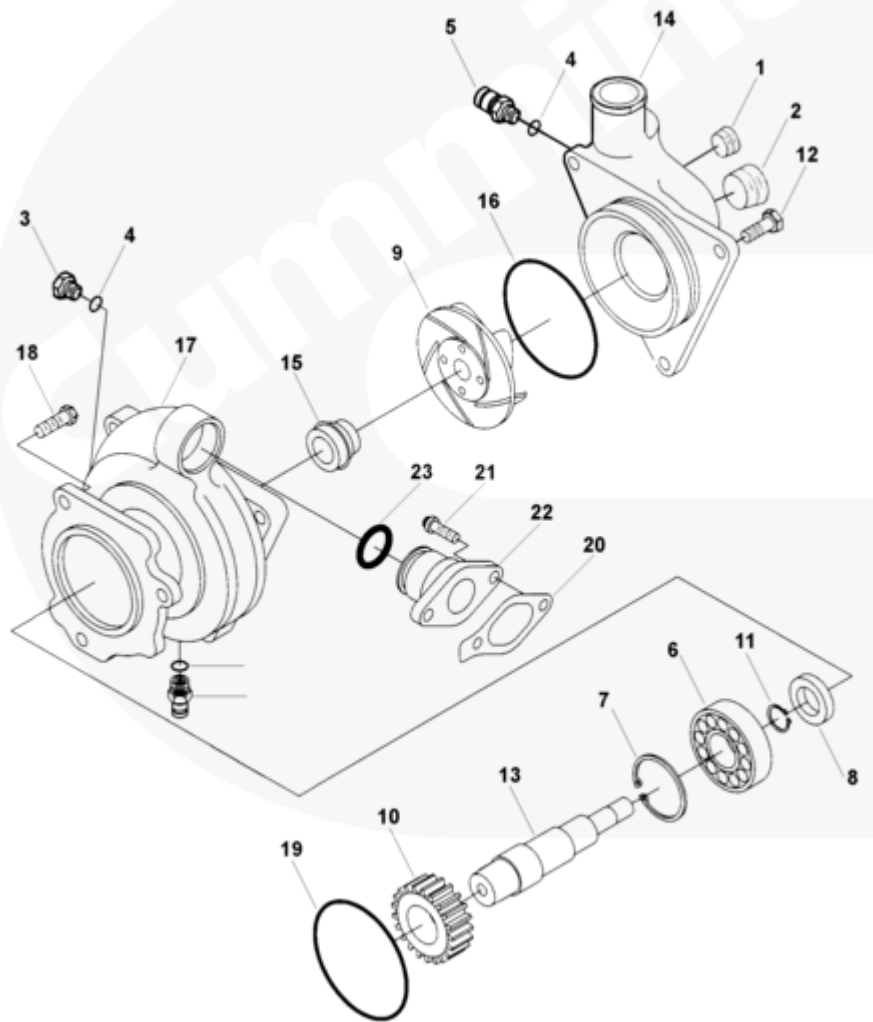




Parts Catalog - Option Detail

Electronic Parts Catalog - Option Detail				
Option	Group	Graphic	Film Card	Date
WP2707-03	08.01	wp201go	II	28-MAR-01
Engines	ISM CM570, ISM CM570/870, ISM CM875, ISM CM876, ISM CM876 E, ISM11 CM876 M103, ISM11 CM876 SN, M11 CELECT, M11 CELECT PLUS, M11 MECHANICAL, QSM11 CM570, QSM11 CM876			

©Cummins Inc



wp201go

[SMALL](#) | [MEDIUM](#) | [LARGE](#)

Cart	Ref No	Part Number	Part Description	Required	Remarks
View My Cart					
		WP2707-03	Water Pump		

					Water Pump
					Alternator Drive Provision:
					No
					Inlet Connection Type: Two
					Bolt Flange
					Shaft Length: 64.097
					Direction of Inlet Connection
					(Deg): 90 from Vert Pointing
					Down & Away from the Engine
<input type="checkbox"/>		3418017	Pump , Water Top Level Assembly		
<input type="checkbox"/>	1	3008468	Pipe Plug	1	1/2 NPT.
<input type="checkbox"/>	2	3008469	Pipe Plug	1	3/4 NPT
<input type="checkbox"/>		3037536	Threaded Plug	1	9/16 - 18 UNF
	3	3040813	Threaded Plug	1	9/16 - 18 UNF
<input type="checkbox"/>	4	3037537	O-Ring Seal	1	
<input type="checkbox"/>		3042619	Coupling Nipple	2	
<input type="checkbox"/>	4	3037537	O-Ring Seal	1	
	5	3042620	Coupling Nipple	1	
<input type="checkbox"/>	6	S 16002	Ball Bearing	1	
<input type="checkbox"/>	7	160586	Retaining Ring	1	
<input type="checkbox"/>	8	3019600	Oil Seal	1	
<input type="checkbox"/>	9	3035679	Water Pump Impeller	1	
<input type="checkbox"/>	10	3038991	Water Pump Gear	1	
<input type="checkbox"/>	11	3064634	Retaining Ring	1	
<input type="checkbox"/>	12	3335044	Hexagon Head Cap Screw	3	M10 x 1.50 x 25.
<input type="checkbox"/>	13	3400813	Water Pump Shaft	1	
	14	3418015	Water Pump Cover	1	
<input type="checkbox"/>	15	4004911	Water Pump Seal	1	

<input type="checkbox"/>	16	3820791	O-Ring Seal	1	
<input type="checkbox"/>	17	4004435	Water Pump Body	1	
<input type="checkbox"/>	18	3034836	Hexagon Head Cap Screw	3	M10 x 1.50 x 30
<input type="checkbox"/>	19	3882774	O-Ring Seal	1	
<input type="checkbox"/>	20	3027924	Connection Gasket	1	
<input type="checkbox"/>	21	3900631	Hexagon Flange Head Cap Screw	2	M8 X 1.25 X 25.
<input type="checkbox"/>	22	3821718	Water Transfer Connection	1	
<input type="checkbox"/>	23	3892095	O-Ring Seal	1	
<input type="checkbox"/>		4024817	Water Pump Repair Kit		Minor
<input type="checkbox"/>		S 16002	Ball Bearing	1	
<input type="checkbox"/>		3820791	O-Ring Seal	1	
<input type="checkbox"/>		160586	Retaining Ring	1	
<input type="checkbox"/>		4004911	Water Pump Seal	1	
<input type="checkbox"/>		3064634	Retaining Ring	1	
<input type="checkbox"/>		3019600	Oil Seal	1	
<input type="checkbox"/>		3035679	Water Pump Impeller	1	
<input type="checkbox"/>		3882774	O-Ring Seal	1	
<input type="checkbox"/>		3800954	Water Pump Mounting Kit	1	
<input type="checkbox"/>		3027924	Connection Gasket	1	
<input type="checkbox"/>		3418017	Pump , Water Top Level Assembly	1	
<input type="checkbox"/>		3820791	O-Ring Seal	1	
<input type="checkbox"/>		3882774	O-Ring Seal	1	
<input type="checkbox"/>		3892095	O-Ring Seal	1	